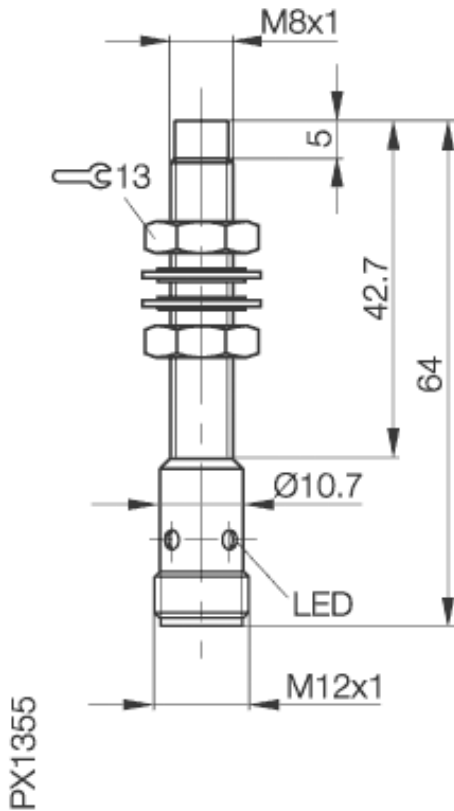


Inductive Sensors
BES M08EG1-PSC40F-S04G
M8x1 x 64
normally-open
Sn=4mm
unshielded



Common Data

Mounting in steel	unshielded
Rated operating distance Sn	4mm
Assured operating distance Sa	0...3,2mm
Repeatability R	= 5%
Hysteresis	1...15%
Function indication	yes
Ambient temperature range	-25...+70°C
Polution Degree	3
Time delay before availability	≤20ms

Mechanical Data

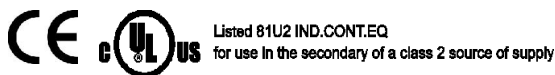
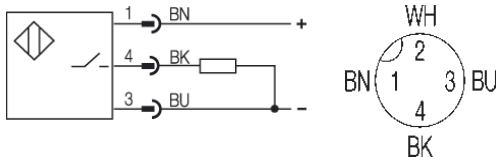
Measurements BxHxT or DxT	M8x1 x 64mm
Housing material	stainless steel
Material of sensing face	PBT
Degree of protection	IP68 acc. BWN Pr 20IP
Connection	Connector S4 (M12)
Shock: Halfsinus, 30 gn, 11ms	
Vibration: 55 Hz, 1mm Amplitude, 3 x 30 Minutes	

Electrical Data

Current type	DC
Wiring	3-Wire
switching function	normally-open
Output signal	PNP
Rated operational voltage	24 DCV
Rated operational current	200mA
Supply voltage	10...30 DCV
Ripple	≤ 10%
max. switching frequency	5000Hz
No-load supply current	= 12 / 8mA
Off-state current	=10µA
Voltage drop	=2,5 / -V
Short circuit protection	yes
Protected against polarity reversal	yes

Remarks

magnetic field immune, weld immune



Utilization categories DC 13
 Insulation class II

Datasheet number:

Definitions see general catalog.
 If not otherwise noted, ratings according to IEC 60947-5-2 (DIN EN60947-5-2)

Balluff GmbH
 Schurwaldstrasse 9
 73765 Neuhausen a.d.F.
 Phone (07158) 173-0 Fax (07158) 5010

Datenblatt by CD-ROM - 04/2007

